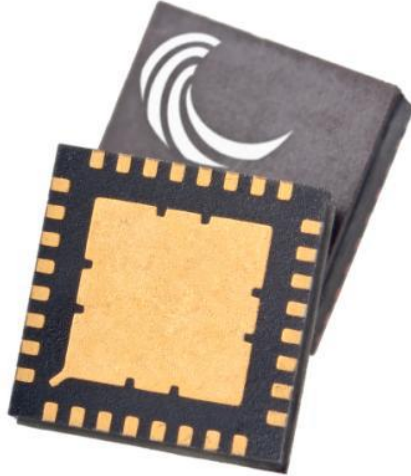


Linwave QFN Dual Stage PIN Limiter

LW48-700118


Features

- 2-20 GHz Passive, high isolation limiter
- Low loss typically < 1dB, X- Band
- Good Return Loss typically > 15dB
- Flat Leakage < +18dBm
- Input Power CW Survivability >5W
- Integrated DC Block on both input and output
- QFN dimensions 3.0 x 3.0 x 1.25 mm, 16 lead

Typical Applications

- LNA receiver chain protection
- Radar receiver protection

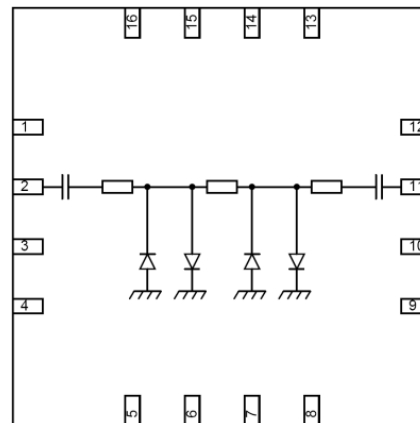
General Description

The LW48-700118 is a wideband two stage limiter packaged in a leadless 3x3mm surface mount package which operates between 2 and 20 GHz. The limiter provides flat leakage of <+18dBm, return loss of >10dB with typical insertion loss of 1dB

The LW48-700118 limiter input and output are internally matched to 50 Ohms and are internally DC blocked.

* Also available with integrated LNAs.

PIN Designations	
PIN No.	FUNCTION
Pin 2	RF IN
Pin 11	RF OUT
Pins 5-8, 13-16	N/C
Pins 1, 3-4, 9-10, 12	GROUND

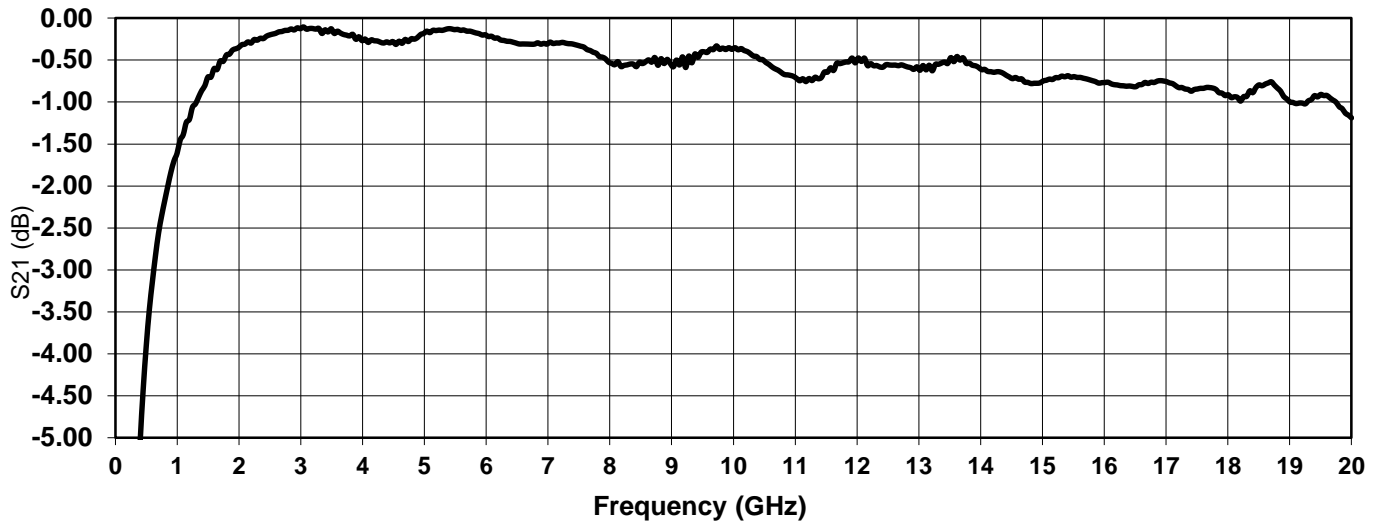

Functional Diagram

Linwave reserves the right to make changes, without notice, in the products, including circuits, standard cells, and/or software, described or contained herein in order to improve design and/or performance.

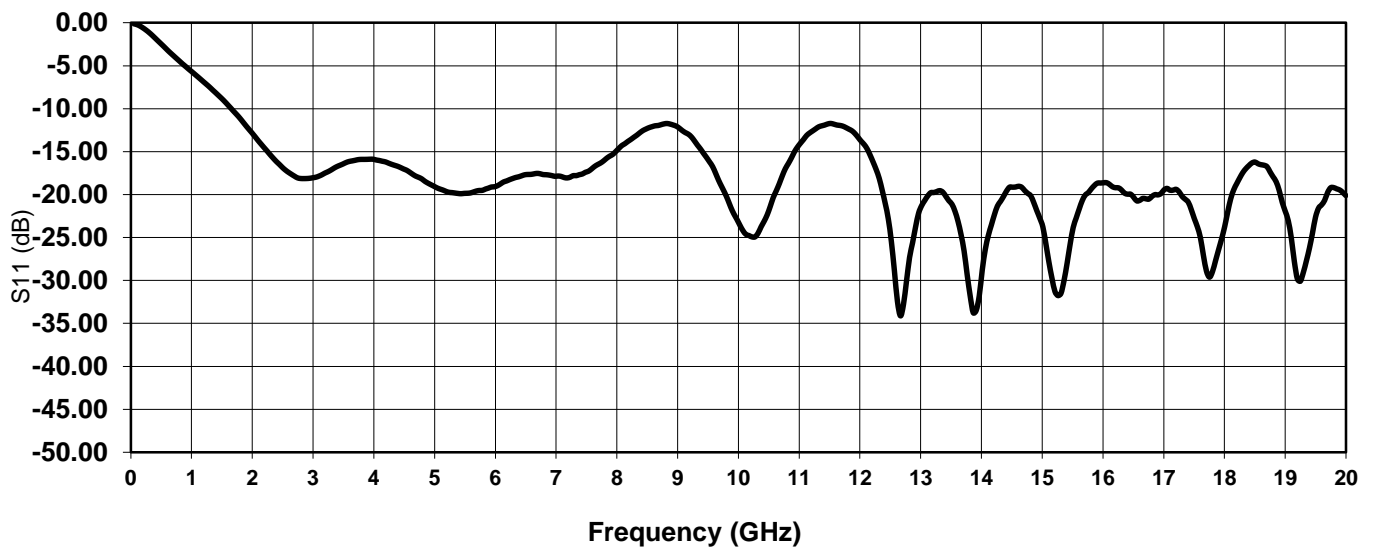
Data sheet Iss 02, dated 13/07/15 DS00-700118-02, No. 1724

For price, delivery and to place orders please contact
 Linwave Technology Ltd, Marlin Building, Sadler Road, Lincoln, LN6 3RS
 Company Reg No 4478971 (England)
 Phone:+44 (0) 1522 681811 Fax:+44 (0) 1522 681911
 Email enquiries@linwave.co.uk Website www.linwave.co.uk
 © 2015 Linwave Technology

Insertion Loss



Input Return Loss

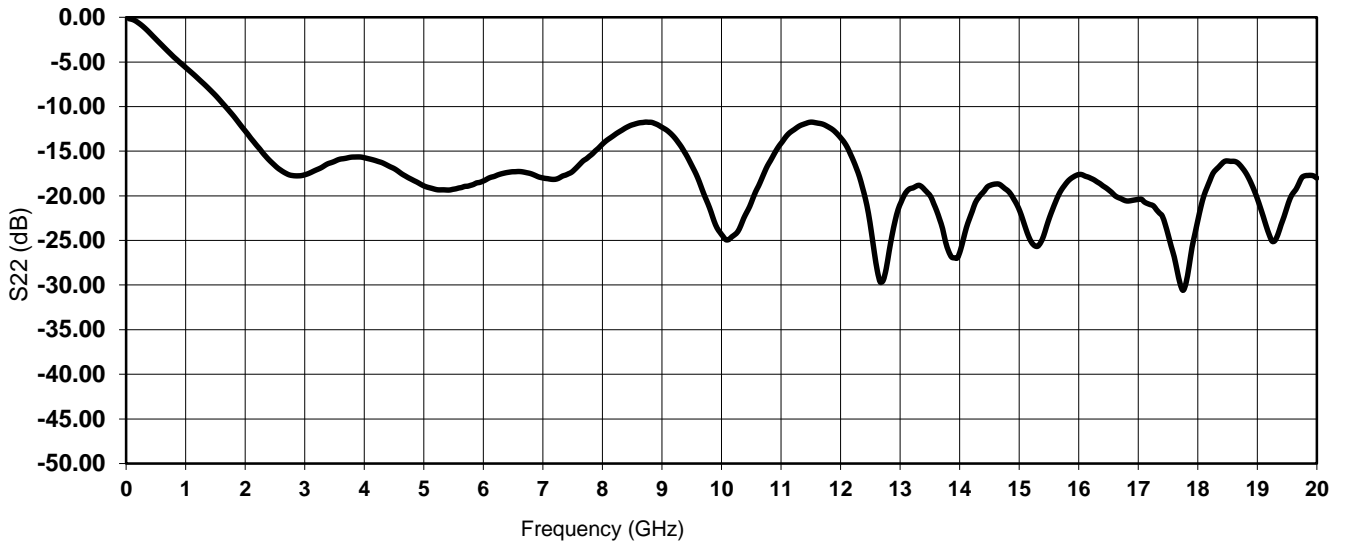


Linwave reserves the right to make changes, without notice, in the products, including circuits, standard cells, and/or software, described or contained herein in order to improve design and/or performance.

Data sheet Iss 02, dated 13/07/15 DS00-700118-02, No. 1724

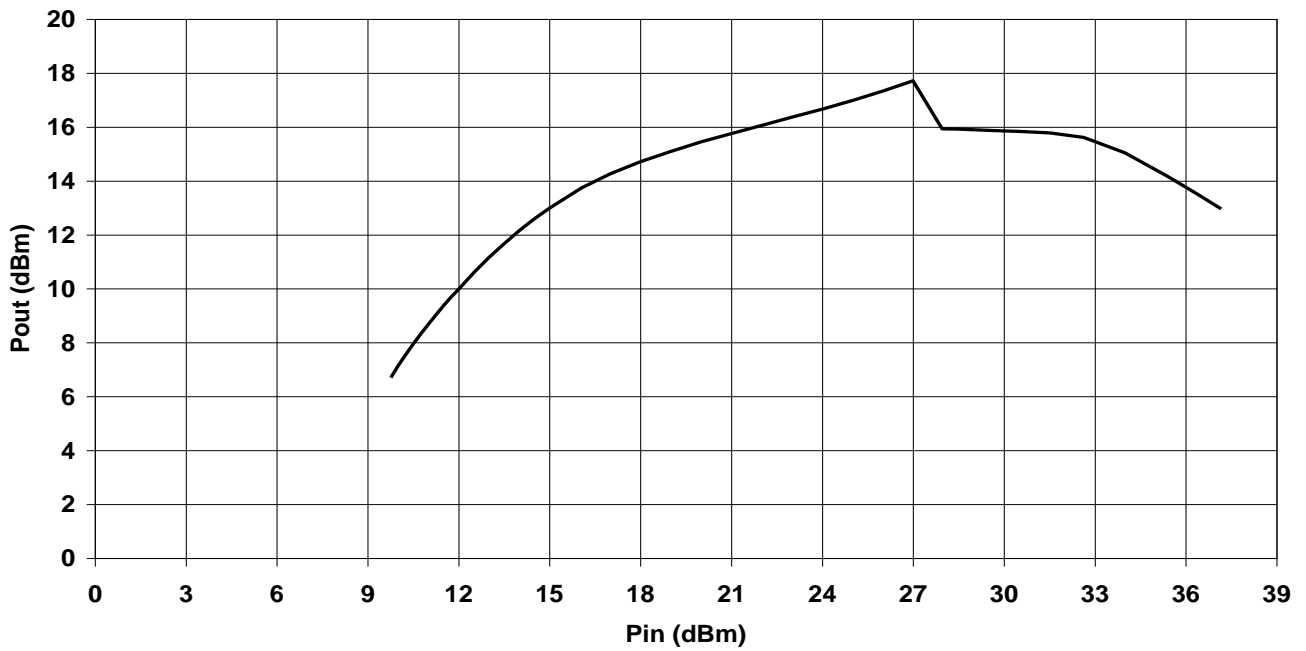
*For price, delivery and to place orders please contact
Linwave Technology Ltd, Marlin Building, Sadler Road, Lincoln, LN6 3RS
Company Reg No 4478971 (England)
Phone:+44 (0) 1522 681811 Fax:+44 (0) 1522 681911
Email enquiries@linwave.co.uk Website www.linwave.co.uk
© 2015 Linwave Technology*

Output Return Loss



Limiting Characteristics

Limiting Characteristic @ 10GHz



Linwave reserves the right to make changes, without notice, in the products, including circuits, standard cells, and/or software, described or contained herein in order to improve design and/or performance.

Data sheet Iss 02, dated 13/07/15 DS00-700118-02, No. 1724

For price, delivery and to place orders please contact
Linwave Technology Ltd, Marlin Building, Sadler Road, Lincoln, LN6 3RS
Company Reg No 4478971 (England)
Phone:+44 (0) 1522 681811 Fax:+44 (0) 1522 681911
Email enquiries@linwave.co.uk Website www.linwave.co.uk
© 2015 Linwave Technology

TABLE I
ABSOLUTE MAXIMUM RATINGS

Symbol	Parameter	Value
P _{IN}	Input CW Power	+37dBm
T _M	Mounting Temperature (30 secs)	260°C
T _{STG}	Storage Temperature	-55 to +125°C
T _{OP}	Operating Temperature	-40 to +85°C

TABLE II
DC CHARACTERISTICS
(T_A = 25°C)

Symbol	Parameter	Limit		Units
		Min	Max	
FWD_RES (diodes)	Forward Resistance	1.9	3.9	Ohm
VREV (diodes)	Reverse Voltage	-60	-30	V

TABLE III
RF CHARACTERISTICS
(T_A = 25°C)

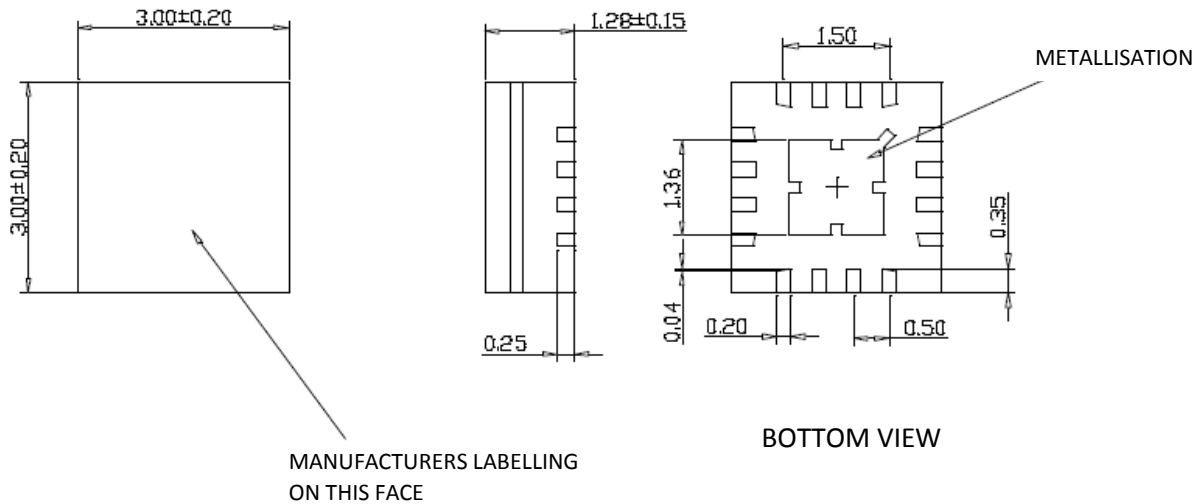
Symbol	Parameter	Test Condition	Limit			Units
			Min	Typ	Max	
IL	Insertion Loss	F = 2-20GHz		1	2	dB
IRL	Input Return Loss	F = 2-20GHz	10			dB
ORL	Output Return Loss	F = 2-20GHz	10			dB
PWR	Output Power @ Pin = 27dBm	F=6.0GHz F=16.0GHz			20 20	dBm dBm

Linwave reserves the right to make changes, without notice, in the products, including circuits, standard cells, and/or software, described or contained herein in order to improve design and/or performance.

Data sheet Iss 02, dated 13/07/15 DS00-700118-02, No. 1724

*For price, delivery and to place orders please contact
Linwave Technology Ltd, Marlin Building, Sadler Road, Lincoln, LN6 3RS
Company Reg No 4478971 (England)
Phone:+44 (0) 1522 681811 Fax:+44 (0) 1522 681911
Email enquiries@linwave.co.uk Website www.linwave.co.uk
© 2015 Linwave Technology*

Outline Drawing



NOTES

- 1) BODY: PLASTIC, SEMICONDUCTOR GRADE
- 2) LEAD FRAME: COPPER, 194 FH
- 3) LEAD FINISH: FULL GOLD PLATE
- 4) FRAME THICKNESS: 0.2030 ± 0.0076
- 5) EXTERNAL DIMENSIONS ± 0.15



Refer to Linwave application note for suggested PC Board Land Pattern.

ELECTROSTATIC SENSITIVE DEVICE OBSERVE HANDLING PRECAUTIONS

Pin Descriptions

Pin Number	Function	Description
2	RF IN	This pad is AC coupled and matched to 50 ohms
11	RF OUT	This pad is AC coupled and matched to 50 ohms
4-9, 13-16	N/C	The pins are not connected internally; however, all data shown was measured with these pins connected to RF/DC ground externally.
1,3,10,12	GROUND	Must be connected to RF/DC ground
Ground paddle	GROUND	Must be connected to RF/DC ground

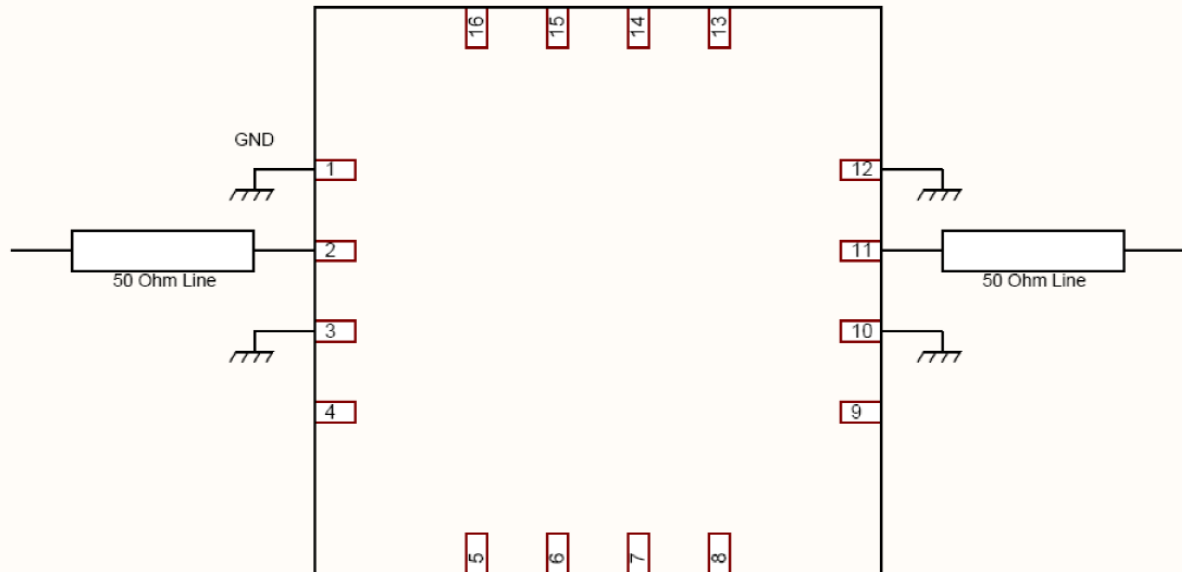
Linwave reserves the right to make changes, without notice, in the products, including circuits, standard cells, and/or software, described or contained herein in order to improve design and/or performance.

Data sheet Iss 02, dated 13/07/15 DS00-700118-02, No. 1724

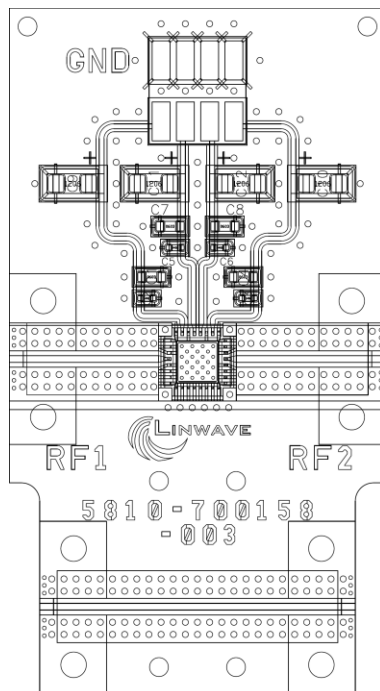
For price, delivery and to place orders please contact
 Linwave Technology Ltd, Marlin Building, Sadler Road, Lincoln, LN6 3RS
 Company Reg No 4478971 (England)
 Phone:+44 (0) 1522 681811 Fax:+44 (0) 1522 681911
 Email enquiries@linwave.co.uk Website www.linwave.co.uk
 © 2015 Linwave Technology

Application Circuit

Note: Effective heatsinking through the pallet on the underside is essential for high power operation (RF Input >1W)



Evaluation PCB



Linwave reserves the right to make changes, without notice, in the products, including circuits, standard cells, and/or software, described or contained herein in order to improve design and/or performance.

Data sheet Iss 02, dated 13/07/15 DS00-700118-02, No. 1724

For price, delivery and to place orders please contact
Linwave Technology Ltd, Marlin Building, Sadler Road, Lincoln, LN6 3RS
Company Reg No 4478971 (England)
Phone:+44 (0) 1522 681811 Fax:+44 (0) 1522 681911
Email enquiries@linwave.co.uk Website www.linwave.co.uk
© 2015 Linwave Technology

List of Materials for Evaluation PCB LW54-10118^[1]

Item	Description
J1-J2	Southwest Microwave 8100-302230
U1	LW48-700118 Limiter
PCB ^[2]	5810-700158-003 Evaluation PCB

[1] Reference this number when ordering complete evaluation PCB

[2] Circuit board material: Rogers 4350B on FR4 backing

The circuit board used in the application should use RF circuit design techniques. The signal lines should have 50 ohms impedance and the package ground leads and package bottom should be connected directly to the ground plane similar to that shown. A sufficient number of via holes should be used to connect the top and bottom ground planes. The evaluation circuit board shown is available from Linwave upon request.

Linwave reserves the right to make changes, without notice, in the products, including circuits, standard cells, and/or software, described or contained herein in order to improve design and/or performance.

Data sheet Iss 02, dated 13/07/15 DS00-700118-02, No. 1724

*For price, delivery and to place orders please contact
Linwave Technology Ltd, Marlin Building, Sadler Road, Lincoln, LN6 3RS
Company Reg No 4478971 (England)
Phone:+44 (0) 1522 681811 Fax:+44 (0) 1522 681911
Email enquiries@linwave.co.uk Website www.linwave.co.uk
© 2015 Linwave Technology*